

# SL20-22C venetian and pleated

20 or 22 mm cavity  
warm edge spacer bar standard

## Available External control devices



**Cord control**  
SL20-22C venetian or pleated

### Colours available

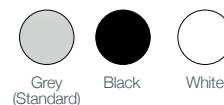


Colours coordinated with the slats; S000 is used for slat colours S155, S156 and S157



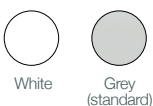
**External motor**  
SL20-22C venetian or pleated

### Colours available



**Frontal knob**  
SL20-22C venetian (transparent wand control also available)

### Colours available



## Transparent transmission device

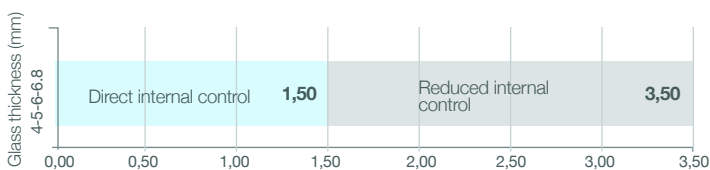


Option for triple glazing with blind in the outer position

Thickness available  
10-12-14-16-20 mm

## Feasibility chart

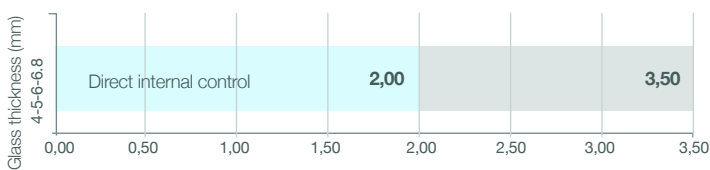
### SL20-22C venetian (cord, frontal knob and external motor)



**W min 300 mm – W max 2000 mm**  
**H min 300 mm – H max 2350 mm**  
with W = from 300 to 350 mm, H max = 850 mm  
with W = 351 to 400 mm, H max = 1550 mm  
with W = 401 to 450 mm, H max = 1950 mm  
with W = 451 to 2000 mm, H max = 2350 mm

**N.B.: Feasibility charts with triple glazing may vary from the ones indicated above: please refer to your sales contact for more details.**

### SL20-22C pleated (cord and external motor)



**W min 300 mm – W max 1500 mm**  
**H min 300 mm – H max 2350 mm**  
with W = from 300 to 350 mm, H max = 850 mm  
with W = from 351 to 400 mm, H max = 1550 mm  
with W = from 401 to 450 mm, H max = 1950 mm  
with W = from 451 to 1500 mm, H max = 2350 mm

**N.B.: Feasibility charts with triple glazing may vary from the ones indicated above: please refer to your sales contact for more details.**

## Slat colours for venetian blinds

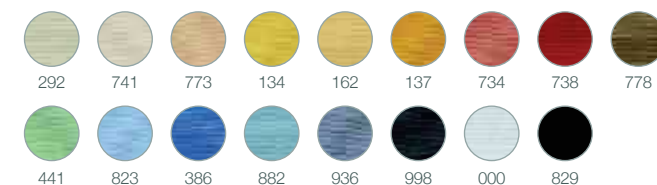


## Colours of Vanity pleated fabrics

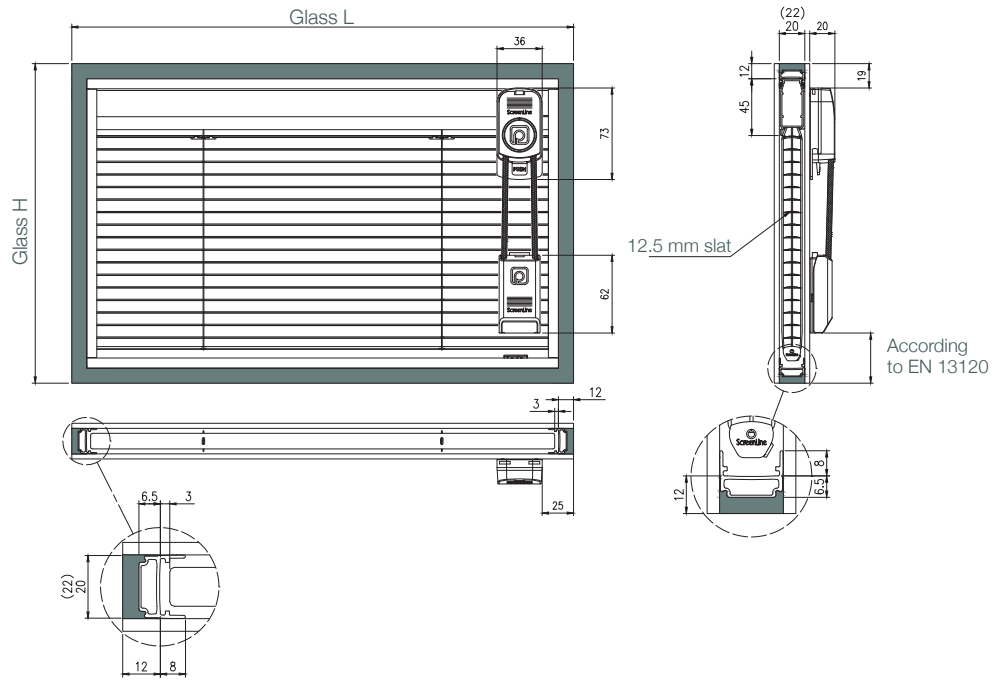
Vanity not metallised



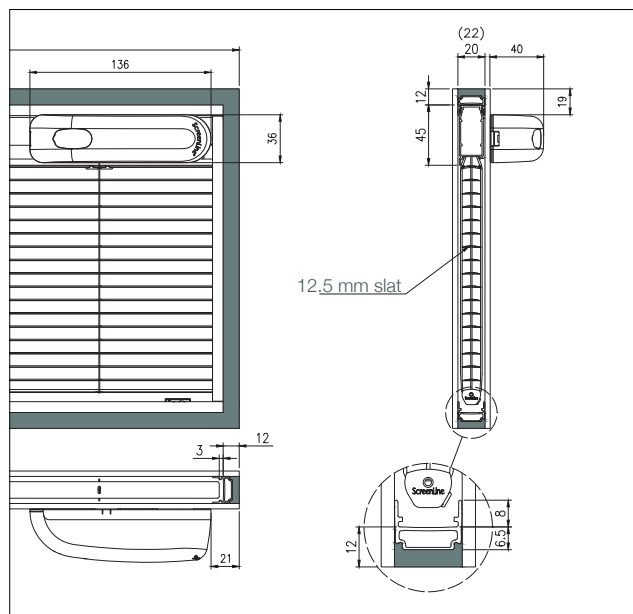
Verosol metallised on the outside



**SL20-22C venetian and pleated**  
with cord control



**SL20-22C venetian and pleated**  
External motor



**SL20-22C venetian**  
Frontal knob

